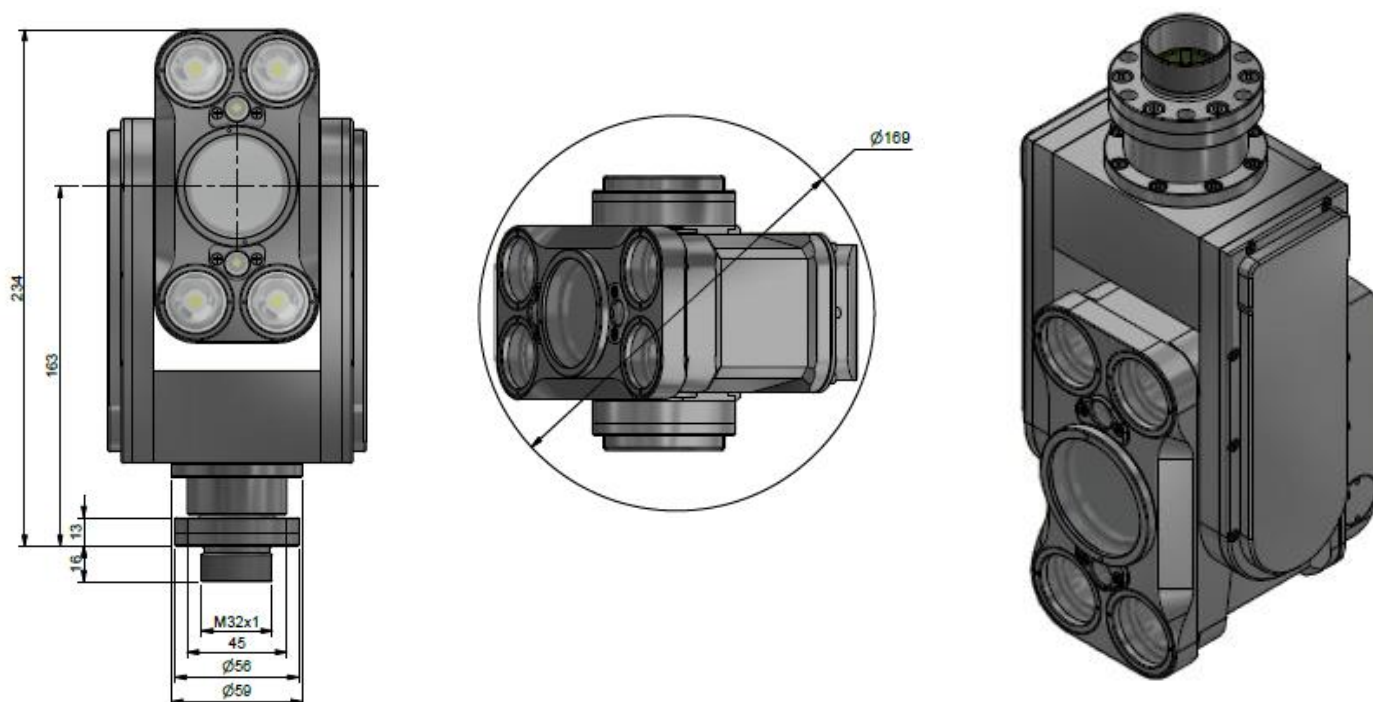


PRELIMINARY DATASHEET

VT 1000 TTZ EX Camera



Technical Data – VT 1000 TTZ EX

| | |
|-----------------------------|--------------------------------|
| ATEX Zone | 1 |
| ATEX Certification | EX II 2G Ex ib pxb IIC T4 Gb |
| Material | Stainless Steel |
| Image Sensor | Full HD 1080p/60fps |
| Video output | Y/Pb/Pr |
| Zoom | 30x optical /12x digital |
| Field of vision | 63.1° wide end – 2.3° tele end |
| Focus | Auto or manual |
| Pan / tilt range | Infinite / 220° |
| Dimensions | 250 x 117 x 118mm |
| Weight | 5 Kg |
| Temperature | 0 – 50°C |
| Pressure water tight | 5 bar |
| Control Unit | VT 6360 CU |

This is a preliminary data sheet whose technical specifications are subject to change.